

ZESTO

Electric Conveyor Oven CE 3632



- * 32" (81cm) conveyor belt.
- * Stainless Steel Construction.
- * Front mount controls for easy view and access.
- * Electronic temperature control with digital read-out.
- * Variable digital speed control on conveyor belt.
- * Cook time from 1 - 20 minutes.
- * Reversible conveyor belt direction.
- * Thermally insulated for energy efficiency.

- * High velocity precision targeted air flow distribution panels for consistent repeatable baking results.
- * Stackable (up to 2 units high).
- * Super efficient electric tubular elements.
- * Removable front panel, crumb tray, top and bottom air flow distribution panels for easy cleaning.
- * Legs with locking casters (17", 23" or 29" available)



Removable panels for easy cleaning
"U.S." Patent # 6,192,877 B1

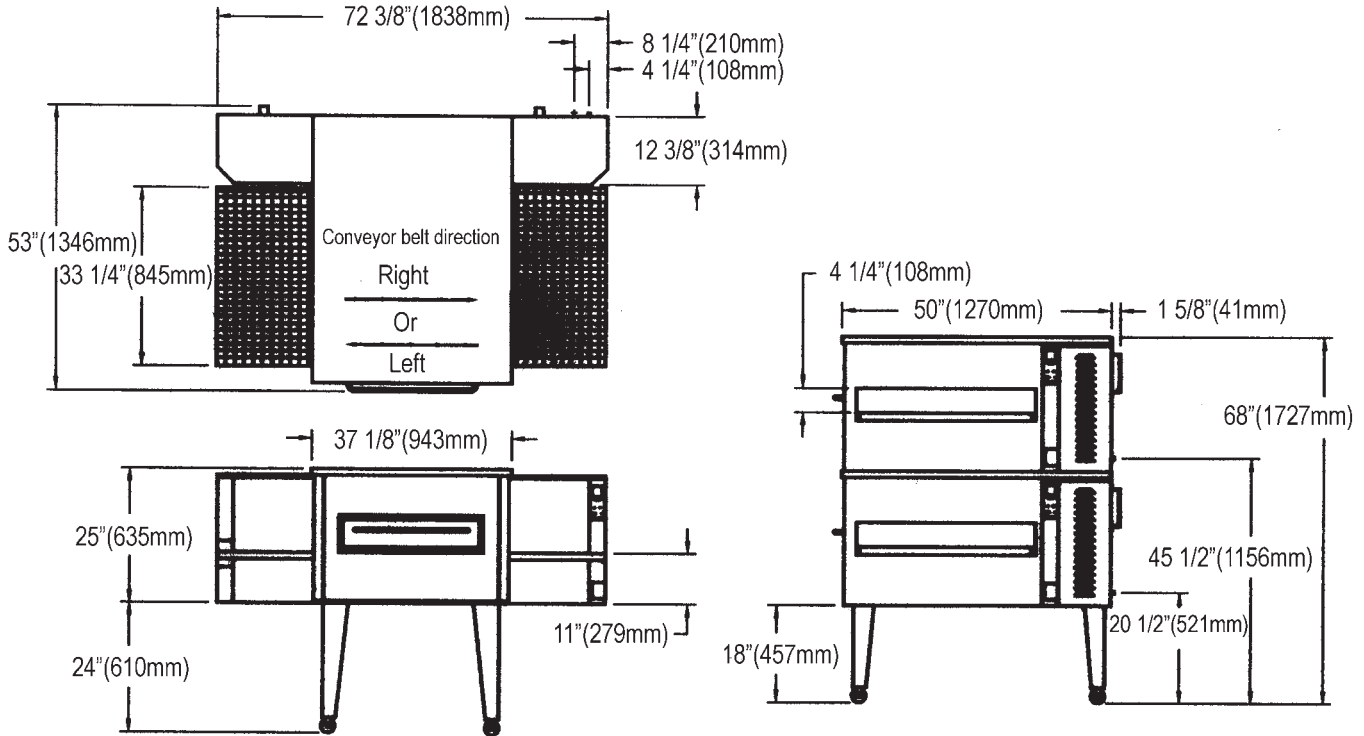
Ideal for a variety of cooking applications including pizza, seafood, omelettes and other egg dishes, pre-cooked meats, cookies, bakery products, pita breads, heating plated Mexican food and hot submarine sandwiches.

Electric Conveyor Oven CE 3632



Conforms to: ANSI / UL Std. 197
Conforms to: CSA C22.2 Std. 109

Conforms to:
Std. NSF-4



Approximate production per hour / per section / bake time in minutes (3632)							
Pan diameter	5 min	6 min	6.45 min	7 min	7.5 min	8 min	9 min
6" (15 cm)	382	318	293	270	252	236	209
8" (20 cm)	214	178	164	151	141	132	116
10" (25 cm)	136	113	104	95	89	83	73
12" (30 cm)	95	78	71	65	61	57	50
14" (35 cm)	69	55	51	47	44	41	36
16" (40 cm)	52	42	38	35	33	30	27

Cooking Chamber 36" (91.4 cm) long X 32" (81 cm) deep

Model	Electric elements/kw	Exterior dimensions	Length of belt	Voltages / Amps	Ship wt..
CE 3632	(6 X 4.5 kw) = 27 kw	72"L x 50"D 183cm x 127cm	72"L x 32"D 183cm x 81cm	220-240v / 1 ϕ (131 - 121 amps) 208-220v / 3 ϕ (82.9 - 78.9 amps) ** 400v / 3 ϕ (47 amps) ** 480v / 3 ϕ (40.5 amps) ** 600v / 3 ϕ (34 amps) ** Optional at extra cost	950 lbs 430 kg

Available in 50 or 60 cycles. Amperage could vary if input volts are not the same as indicated.

ZESTO FOOD EQUIPMENT MANUFACTURING INC.
MANUFACTURIER D'EQUIPEMENT EN ALIMENTATION INC.
6450 HUTCHISON, MONTREAL, QC, CANADA H2V 4C8
TEL(514)278-4621 FAX(514)278-4622
e-mail info@zesto.ca www.zesto.ca

SPECIFICATIONS SUBJECT TO CHANGE WITHOUT NOTICE.

LES SPÉCIFICATIONS SONT SUJETS À CHANGEMENT SANS AVIS.